



Hycor[®] Rotostrainer[®]

Externally-Fed Rotary Wedgewire Screen

Self-cleaning Drum Screen

- Screen opening from 0.01" - 0.10" (0.25mm - 2.5mm)
- Single unit capacity up to 6,000 GPM (1360 m³/h)
- Widely used by municipalities, food processors, and other industrial users
- Low maintenance
- Thousands of installations

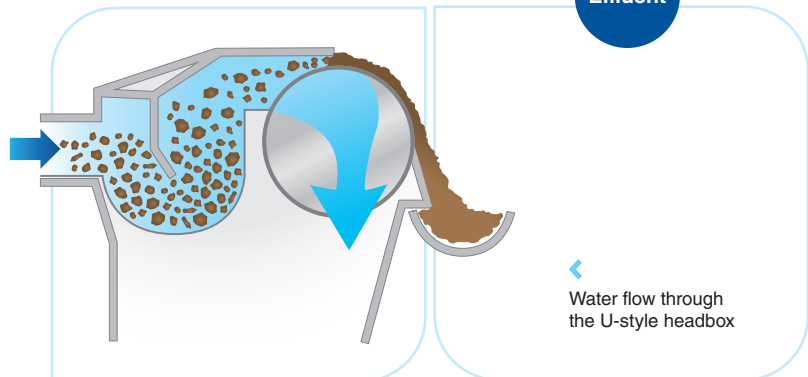
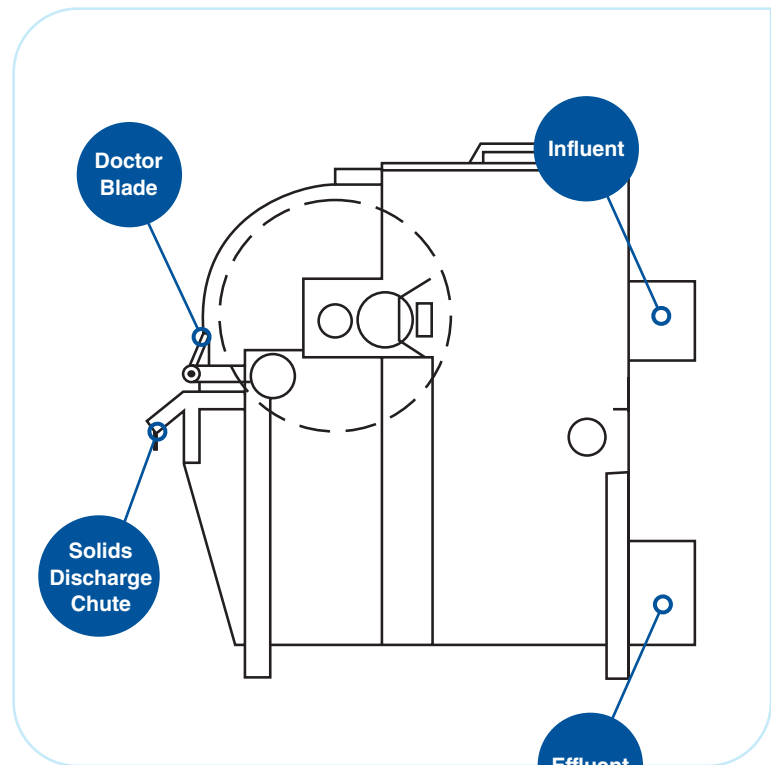
Introduced over 40 years ago, the Hycor® Rotostrainer® screen is the original self-cleaning wedgewire screen

The Rotostrainer® screen handles difficult solids, including scum, oily and greasy materials in municipal and industrial applications. Opening sizes are available from 0.010" (.250 mm) to 0.100" (2.54 mm). Capacities range from 60 GPM (13.6 M³/H) to 7,800 GPM (1771 M³/H) in a single unit. Additional models are available to handle higher capacities.

The screen features a heavy-duty corrosion-resistant stainless steel chassis and wedgewire screening cylinder. Incoming flow is directed under a baffle to dampen forward velocity and ensure even loading over the length of the screen cylinder. The natural action of wastewater cascading through the screen creates a powerful backwash which results in a continuously clean surface. Solids are caught on the outside of the screen surface and are removed by a tensioned doctor blade.

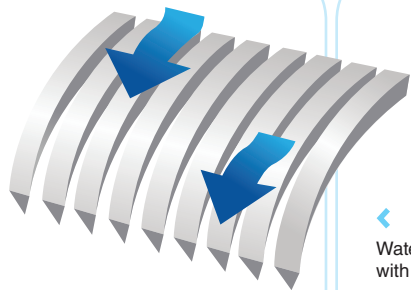
All Rotostrainer units have an internal spray bar available. This spray bar is positioned within inches of the surface of the cylinder and is ideal for greasy applications or applications requiring small size screen openings.

The Rotostrainer is the only rotary screen available with an automatic doctor blade cleaner assembly that wipes away solids, particularly sticky materials that build up on the primary doctor blade.

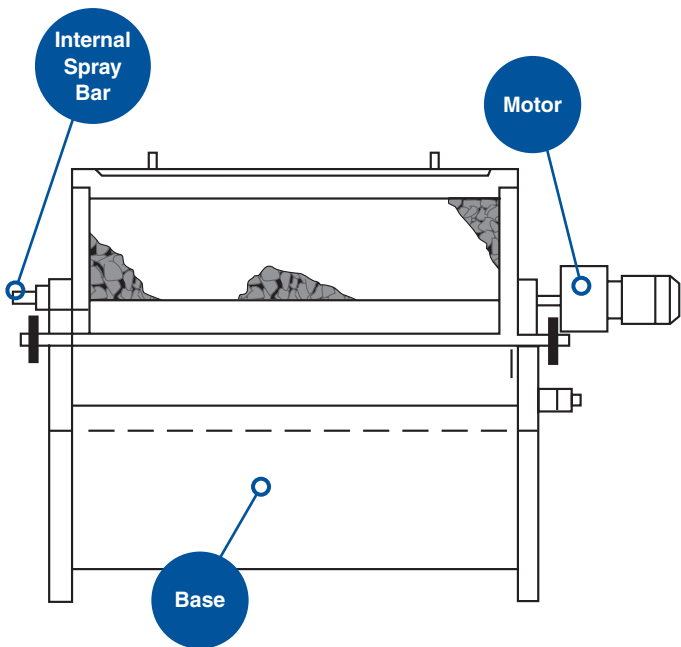




◀ Screens discrete solids, scum and oily materials without blinding



◀ Water flow parallel with wedgewire



▶ Automatic doctor blade cleaner



Features & Benefits

- Horizontally mounted cylinder has external bearings to simplify maintenance
- Counter-weighted primary doctor blade
- Optional auto doctor cleaner blade cleans primary blade
- Easily accessible headbox simplifies routine maintenance
- Removable headbox cover minimizes splashing and reduces housekeeping
- Optional base is an integral part of the chassis and requires no sealing or gasketing
- Simplified motor arm brackets reduce stress and fatigue
- Corrosion-resistant stainless steel construction improves screen life and durability
- Automatic doctor blade cleaner to facilitate solids removal from primary blade



Rotostrainer Screens – Superior by Design

In food processing and wastewater, FOGs cause blinding, which many screens have a hard time dealing with. With Parkson's Rotostrainer screens you can rest assured that all scum and oily materials will be handled effectively.

With thousands of installations and over 40 years of experience, the Rotostrainer has been the choice of many municipalities and industries.



Dimensions and Weights

Model No.	Motor HP (kW)	Screen Diameter (mm)	Screen Length (mm)	Dry Weight		Operating Weight	
				w/ base	w/o base	w/ base	w/o base
2512	1/3 (.25 kW)	25" (626 mm)	12" (305 mm)	600 lbs (272 kg)	490 lbs (222 kg)	1016 lbs (460 kg)	607 lbs (275 kg)
2524	1/3 (.25 kW)	25" (626 mm)	24" (610 mm)	716 lbs (325 kg)	581 lbs (263 kg)	1548 lbs (702 kg)	815 lbs (370 kg)
2548	1/2 (.38 kW)	25" (626 mm)	48" (1220 mm)	989 lbs (449 kg)	805 lbs (365 kg)	2653 lbs (1203 kg)	1273 lbs (577 kg)
2572	1/2 (.38 kW)	25" (626 mm)	72" (1829 mm)	1297 lbs (589 kg)	1064 lbs (482 kg)	3793 lbs (1722 kg)	1766 lbs (801 kg)
2584	1/2 (.38 kW)	25" (626 mm)	84" (2134 mm)	1430 lbs (649 kg)	1172 lbs (532 kg)	4342 lbs (1971 kg)	1991 lbs (904 kg)
3672	3/4 (.55 kW)	36" (915 mm)	72" (1829 mm)	1850 lbs (840 kg)	1650 lbs (749 kg)	6450 lbs (2926 kg)	3250 lbs (1474 kg)
3684	3/4 (.55 kW)	36" (915 mm)	84" (2134 mm)	2150 lbs (975 kg)	1925 lbs (873 kg)	7000 lbs (3175 kg)	3795 lbs (1721 kg)
3696	3/4 (.55 kW)	36" (915mm)	96" (2438 mm)	2500 lbs (998 kg)	2200 lbs (998 kg)	7550 lbs (3432 kg)	4350 lbs (1973 kg)
36120	1 (.75 kW)	36" (915 mm)	117 1/2" (2985 mm)	2940 lbs (1334 kg)	2650 lbs (1202 kg)	8450 lbs (3833 kg)	5250 lbs (2381 kg)



Fort Lauderdale
Chicago
Kansas City
Denver
Birmingham

1.888.PARKSON
technology@parkson.com
www.parkson.com

