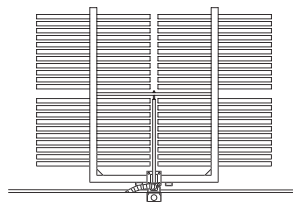
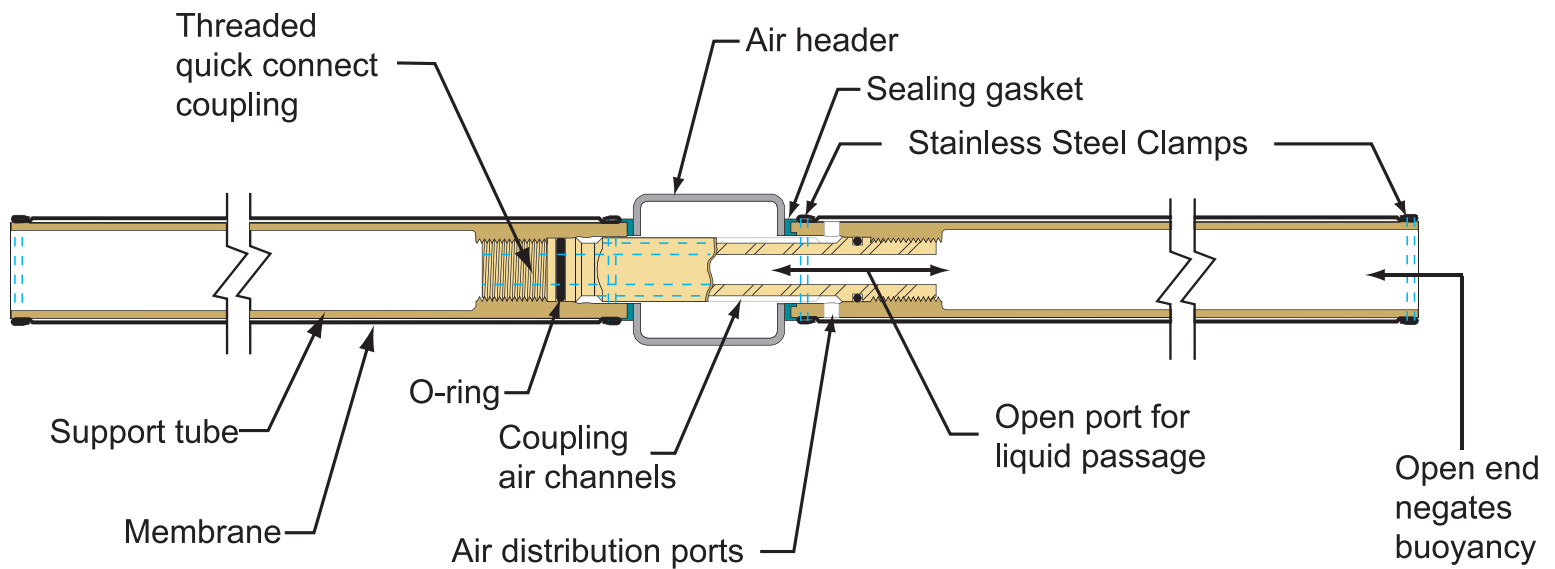


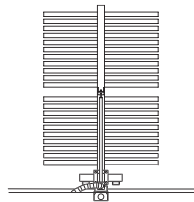
SCHREIBER 
Flex
MEMBRANE AIR DIFFUSERS



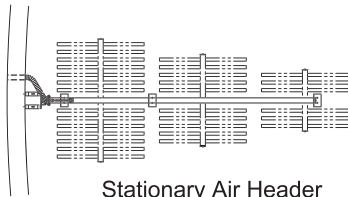
Wastewater treatment
diffusers designed for
high oxygen transfer and
ease of installation.



Dual-Arm Air Header
(84 Diffuser Tubes)



Single-Arm Air Header
(42 Diffuser Tubes)



Stationary Air Header
(60 Diffuser Tubes)



FEATURES

- Retrievable diffuser assemblies
- Suitable for a wide range of applications
- Virtually zero buoyancy
- Long membrane life
- Adaptable for grid systems
- High strength assembly

ADVANCED DESIGN

Schreiber's membrane air diffusers feature a unique, patented design for fine bubble aeration. The diffuser assembly consists of two 30 inch long tubular membranes and a threaded connector. The flexible membrane features an air slit pattern design providing optimal oxygen transfer efficiency. The threaded connector allows for quick and easy installation with fewer maintenance concerns. Schreiber's diffusers are unmatched in strength, as tests have shown, the assembly has a moment capacity of 340 foot pounds. The diffusers are advantageous for installation in new facilities or as replacements in existing systems.

PROCESS ADVANTAGE

Schreiber's membrane air diffusers increase the effectiveness of an aeration process by providing a high rate of oxygen transfer efficiency - 5.5% per meter (1.7% per foot) of immersion at 17' submergence at a maximum throughput rate of 1.3 scfm per lineal foot of diffuser. Due to the elastic properties of the membranes, there is no necessity to maintain an airflow to the diffusers. When air pressure is applied to the membrane, micro slits open allowing air to flow into the liquid. When air pressure is eliminated the micro slits close to prevent liquid from entering the tube. The capability of controlling the air flow to the diffusers results in a vast increase in process flexibility and effectiveness.